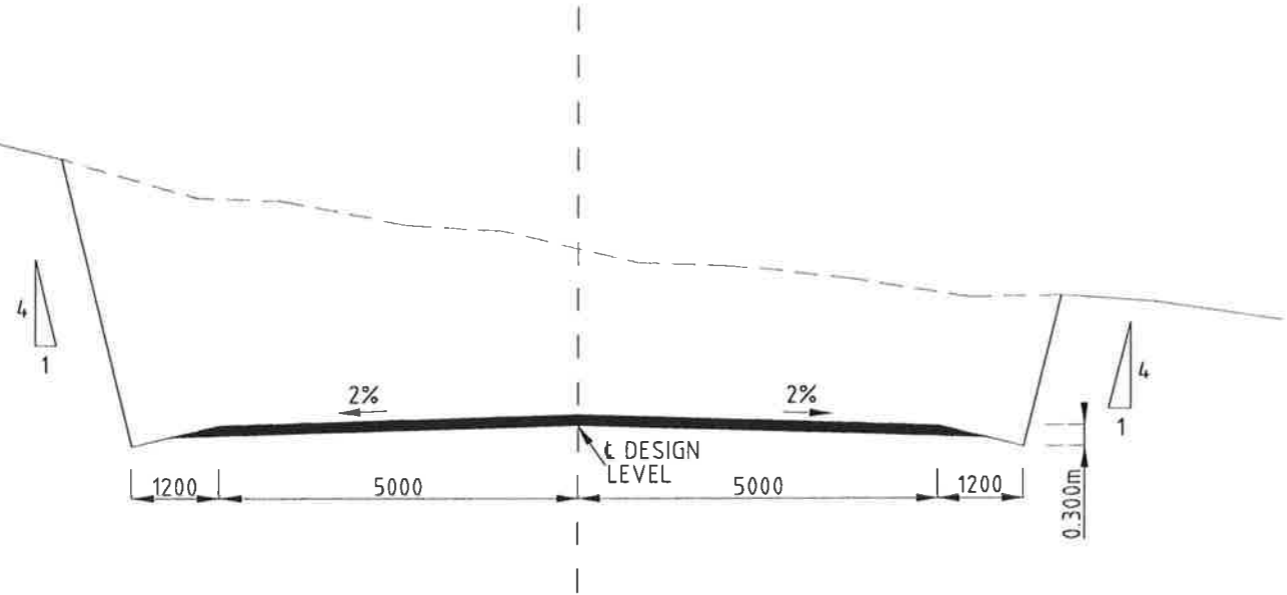
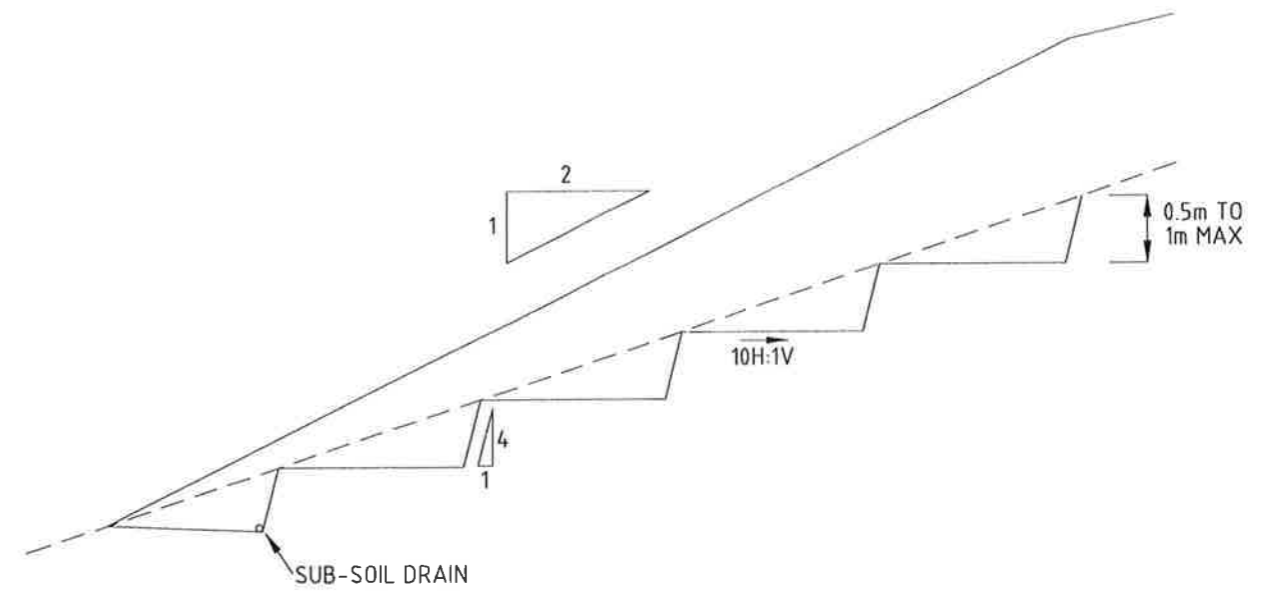


27/7/09

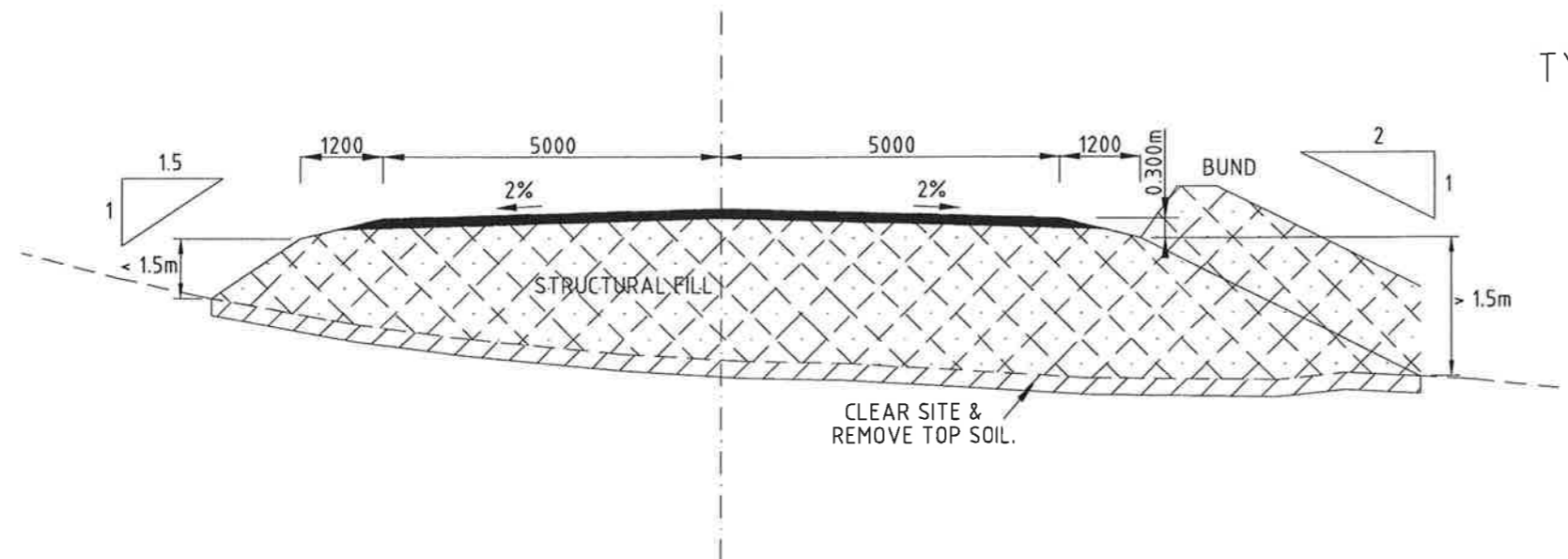
11



TYPICAL ROAD SECTION - CUT



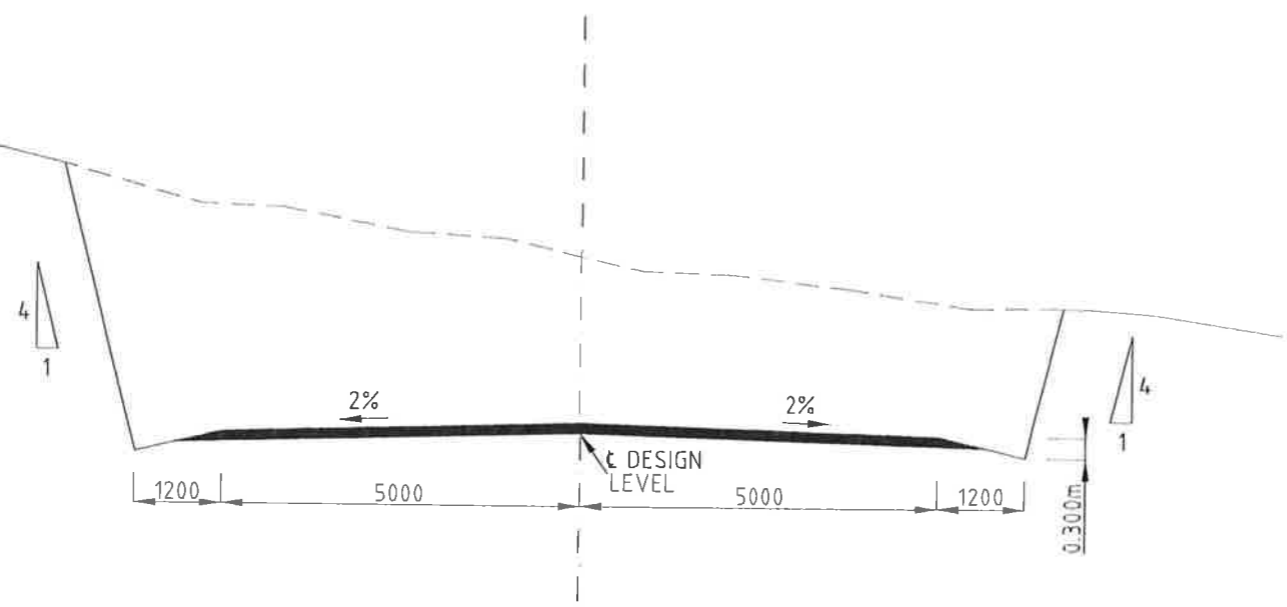
TYPICAL BENCHING IN FILL & DISPOSAL AREAS



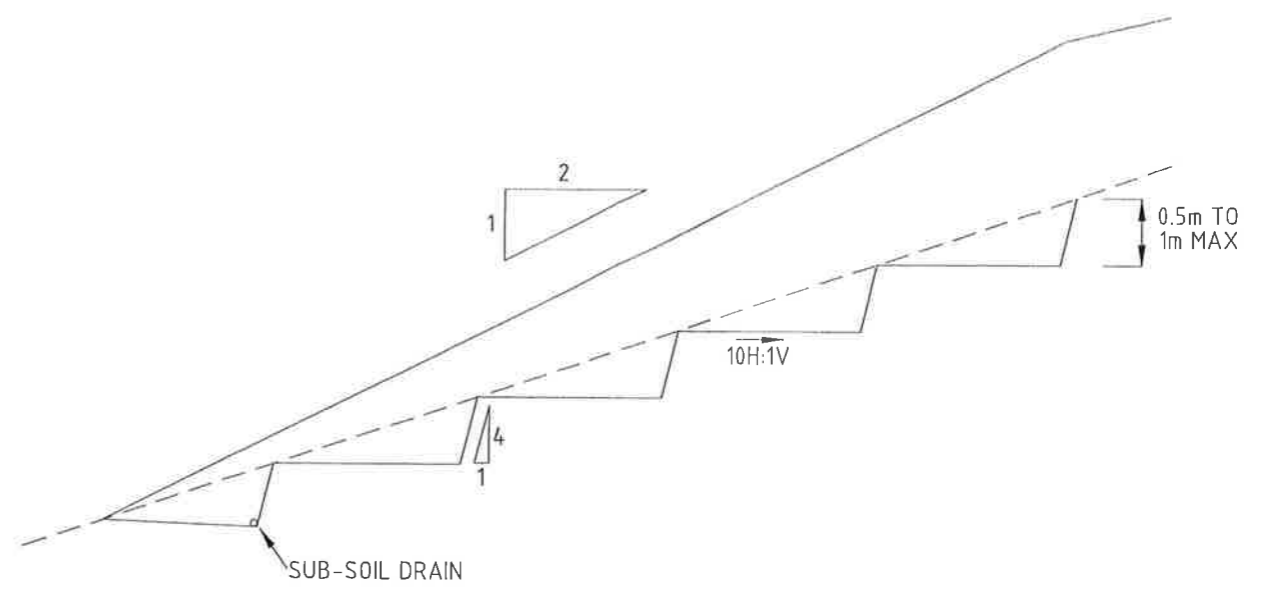
TYPICAL ROAD SECTION - FILL

FOR INFORMATION  
NOT FOR CONSTRUCTION

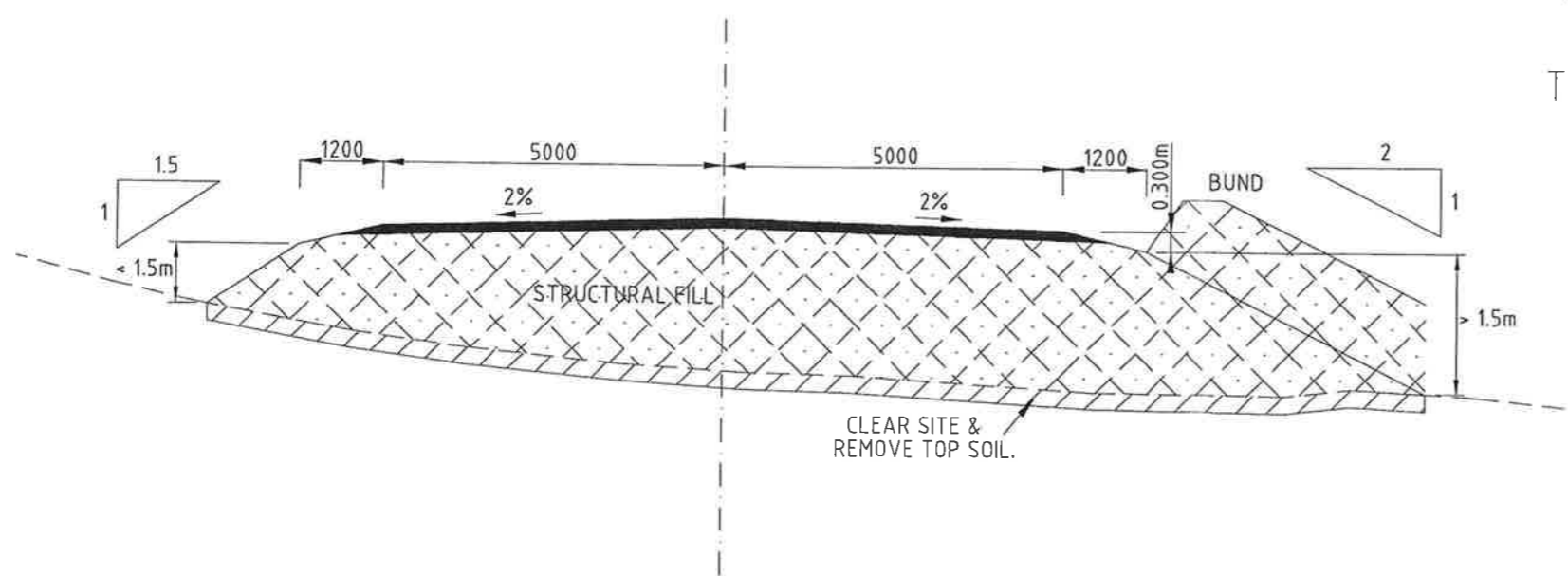
<table border="1"> <tr> <td>C</td> <td>DRAWING AMENDED</td> <td>SRW</td> <td>CDJ</td> <td>BTk</td> <td>24.07.09</td> </tr> <tr> <td>B</td> <td>DRAWING AMENDED</td> <td>SRW</td> <td>CDJ</td> <td>BTk</td> <td>07.08.08</td> </tr> <tr> <td>A</td> <td>FOR INFORMATION</td> <td>SRW</td> <td>CDJ</td> <td>BTk</td> <td>12.05.08</td> </tr> <tr> <td>No.</td> <td>Revision</td> <td>By</td> <td>Chk</td> <td>Appd</td> <td>Date</td> </tr> </table>				C	DRAWING AMENDED	SRW	CDJ	BTk	24.07.09	B	DRAWING AMENDED	SRW	CDJ	BTk	07.08.08	A	FOR INFORMATION	SRW	CDJ	BTk	12.05.08	No.	Revision	By	Chk	Appd	Date	Drawing Originator: 		Original Scale (A1) nts Design Drawn Design Verifier Design Check Date * Refer to Revision 1 for Original Signatures		Client: 		Project: TURITEA WIND FARM		Title: TYPICAL ROAD & DISPOSAL AREA CROSS SECTIONS		Discipline: GEOSPATIAL	
C	DRAWING AMENDED	SRW	CDJ	BTk	24.07.09																																		
B	DRAWING AMENDED	SRW	CDJ	BTk	07.08.08																																		
A	FOR INFORMATION	SRW	CDJ	BTk	12.05.08																																		
No.	Revision	By	Chk	Appd	Date																																		
								Drawing No. 0848RK206		Rev. C																													



TYPICAL ROAD SECTION - CUT



TYPICAL BENCHING IN FILL & DISPOSAL AREAS



TYPICAL ROAD SECTION - FILL

**FOR INFORMATION  
NOT FOR CONSTRUCTION**

C	DRAWING AMENDED	SRW	CDJ	BTK	24.07.09
B	DRAWING AMENDED	SRW	CDJ	BTK	07.08.08
A	FOR INFORMATION	SRW	CDJ	BTK	12.05.08
No.	Revision	By	Chk	Appd	Date



Original Scale (A1)	Design	Drawn	Approved For Construction*
nts	Dwg Verifier		
Reduced Scale (A3)	Dwg Check		Date
nts	* Refer to Revision 1 for Original Signature		



Client: **TURITEA WIND FARM**

Title: **TYPICAL ROAD & DISPOSAL AREA CROSS SECTIONS**

Discipline	<b>GEOSPATIAL</b>
Drawing No.	<b>0848RK206</b>
Rev.	<b>C</b>